

1-Swarm: Was die Automation von Ameisen lernen kann

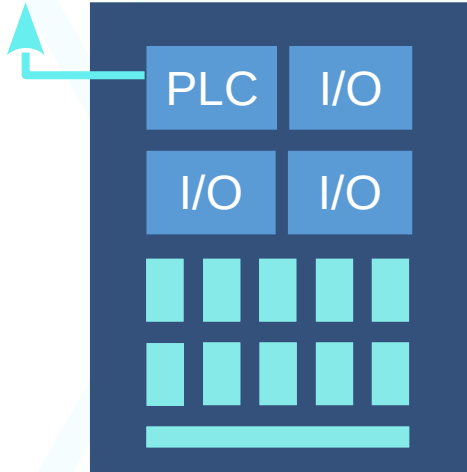
Univ.-Prof. Alois Zoitl
Johannes Kepler Universität Linz



Self-organization through local interaction

Self-

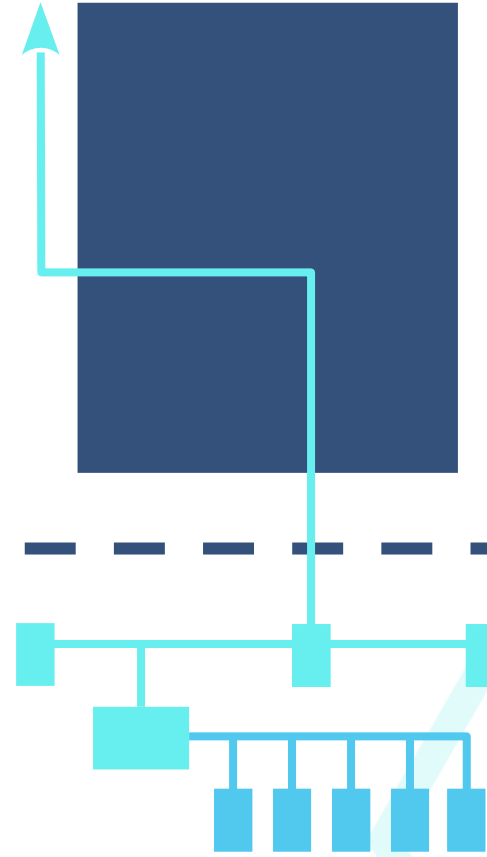
Classical Control Technology



Decentralized Control



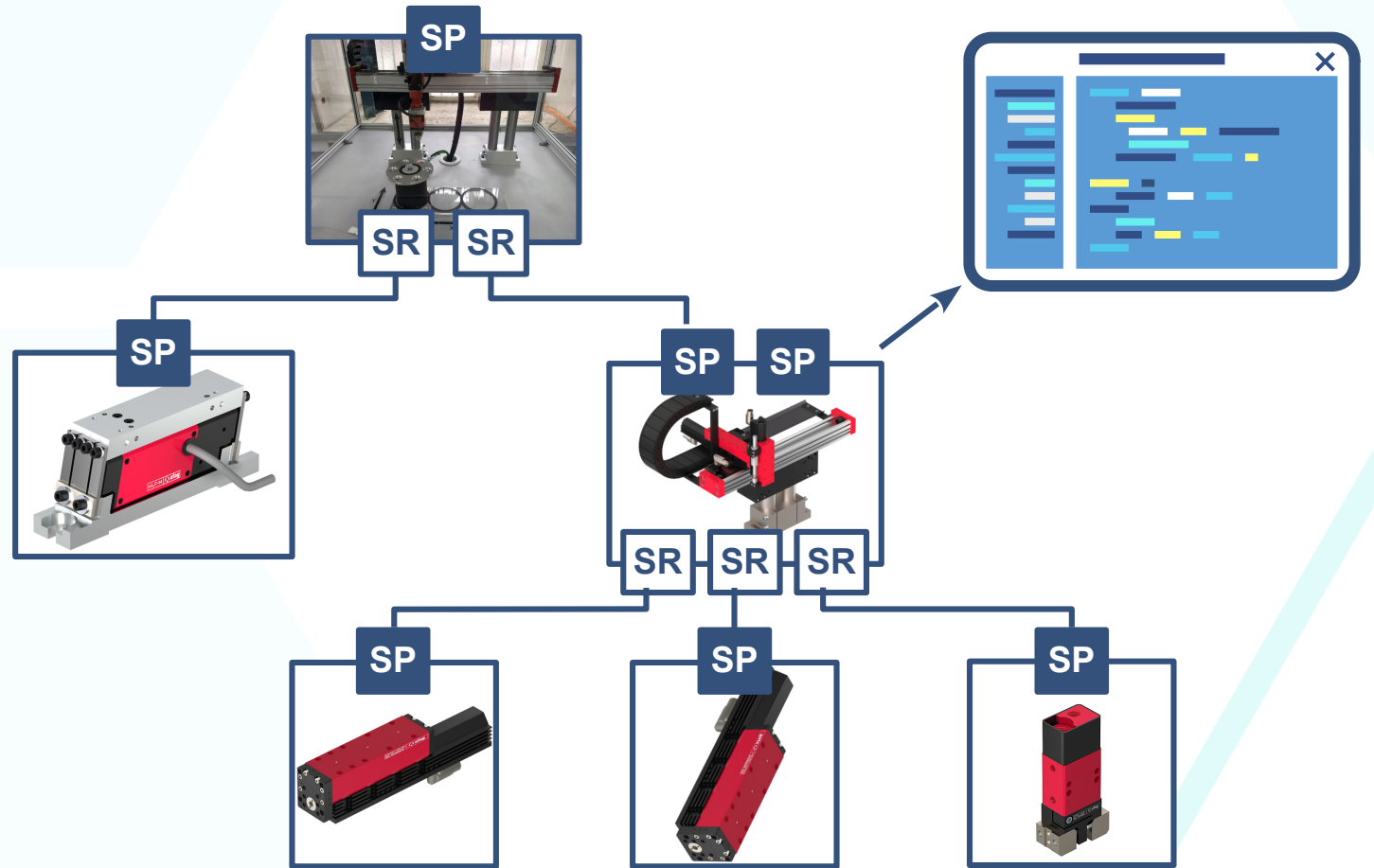
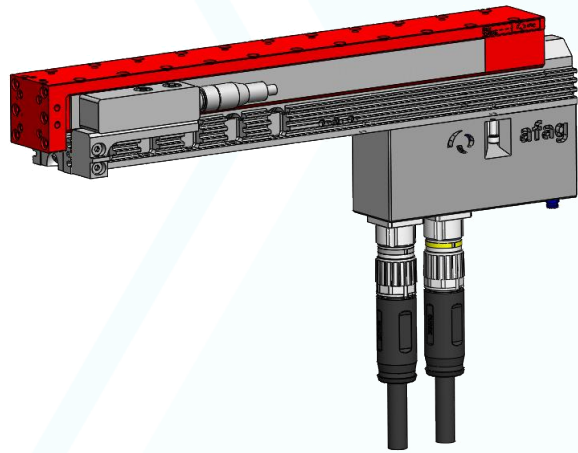
Distributed Control





Source: Modular Robotics

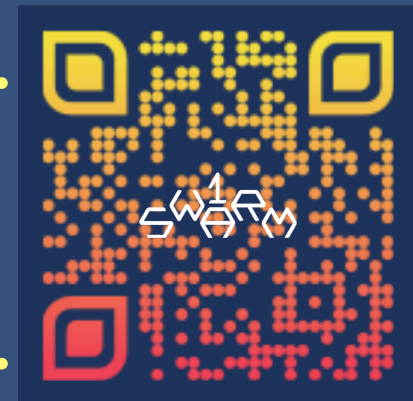
Pluggable Machine Components



SWARM¹

Orchestrating intelligent Cyber-Physical Systems across their whole life-cycle, being part of a single swarm without losing their operational autonomy

DISCOVER OUR
HORIZON 2020 PROJECT



SCAN ME



The SWARM logo, consisting of the word 'SWARM' in a stylized white font with a superscript '1' on the 'A', set against a dark blue background.



Contact us
Alois Zoitl - JKU: alois.zoitl@jku.at



EC HORIZON2020
Project Co-Funded by the European Commission
Grant agreement: 871743
Call identifier: H2020-ICT-2019-2
Project Start Date: 1st of January 2020